

# L3600FD DSP power amplifier 2x1800W



- Live performance DSP amplifier
- Fully integrated professional speaker processing with FIR Drive technology
- Market leading acoustic performance and rock solid reliability
- True 2 ohm stability
- Intuitive system control software, makes setup and control easy

## Technical specifications

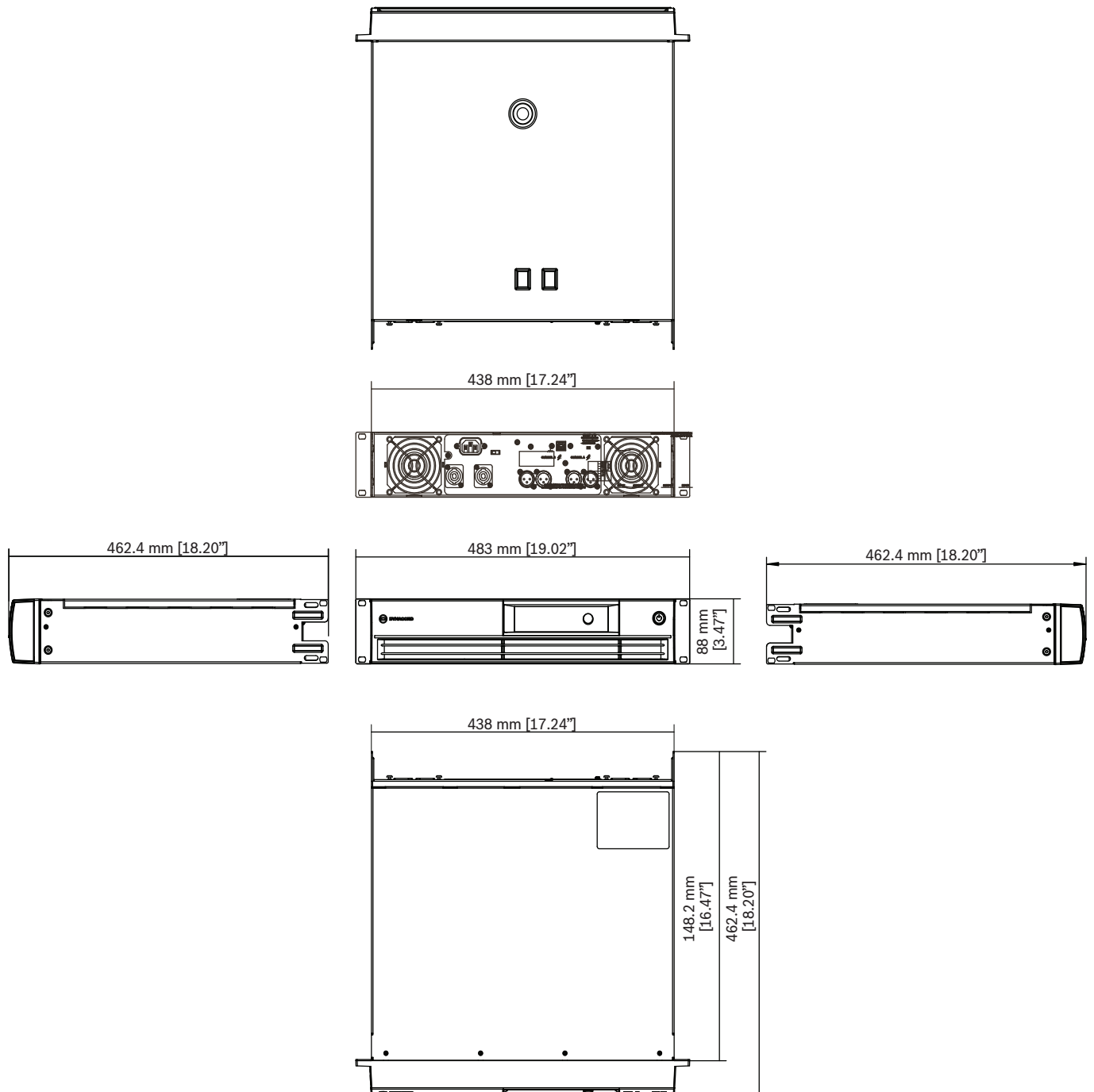
<b>Load Impedance</b>	2 Ω	2.7 Ω	4 Ω	8 Ω
<b>Maximum Output Power, Single Channel</b>	3200 W	2700 W	1800 W	950 W
<b>Maximum Output Power, Dual Channel</b>	3000 W	2500 W	1700 W	900 W
<b>Maximum Output Power, Bridged</b>	-	-	6000 W	3400 W
<b>Maximum RMS Voltage Swing</b> THD = 1%, 1 kHz	90.6 V			
<b>Voltage Gain</b> Ref. 1 kHz	32.0 dB			
<b>THD at 1200 W/4 Ω</b> MBW = 80 kHz, 1 kHz	< 0.05%			

<b>IMD-SMPTE,</b> 60 Hz, 7 kHz	< 0.1%
<b>DIM30,</b> 3.15 kHz, 15 kHz	< 0.05%
<b>Maximum Input Level</b>	+21 dBu
<b>Crosstalk</b> ref. 1 kHz, at 100 W/4 Ω	< -80 dB
<b>Frequency Response,</b> ref. 1 kHz	10 Hz to 21 kHz (±1 dB)
<b>Input Impedance,</b> Active Balanced	20 k Ω
<b>Signal to Noise Ratio Amplifier,</b> A-weighted, ref to Max. Output Power @ 8 Ω	>109 dB

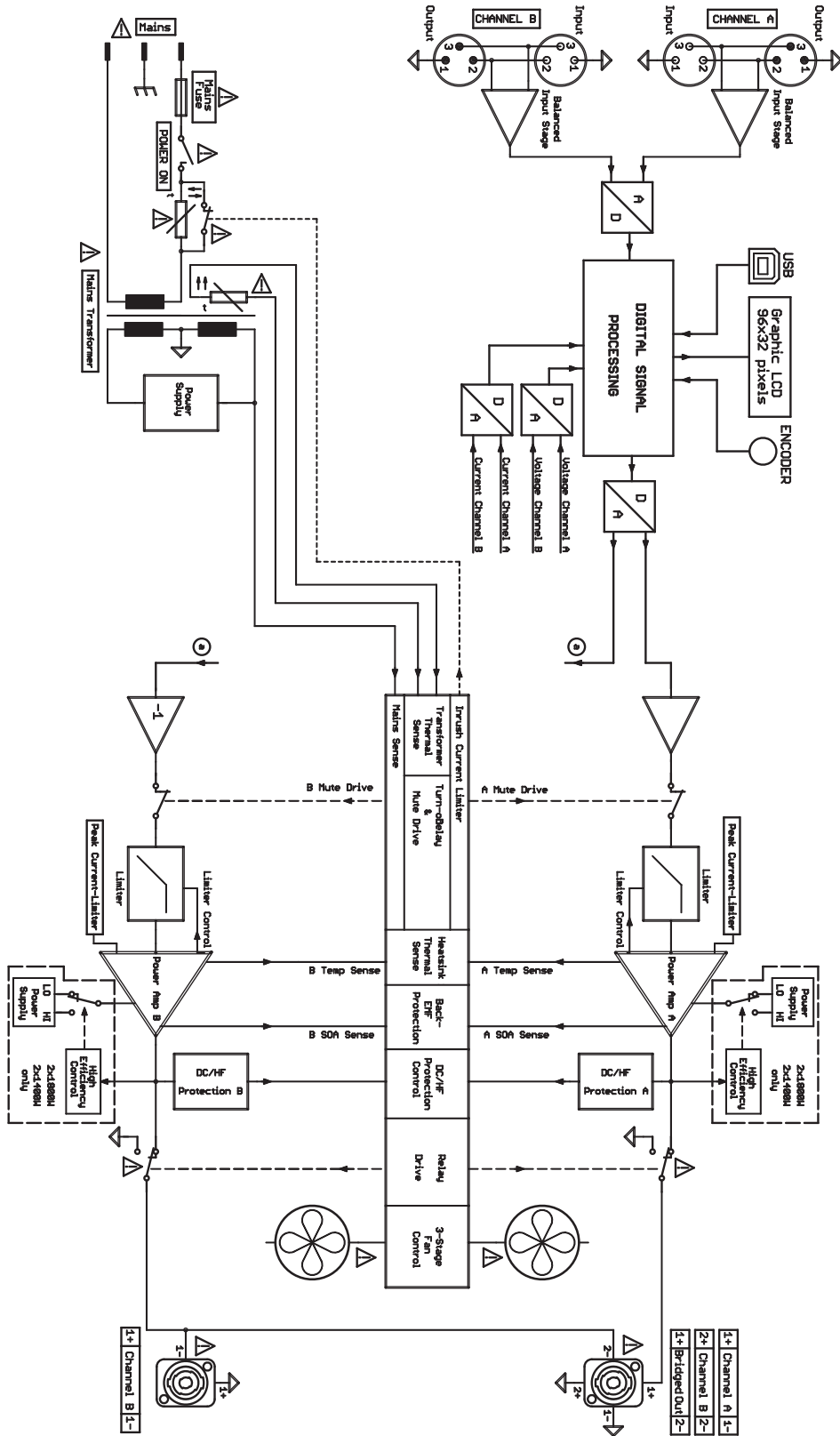
<b>Output Noise,</b> A-weighted	< -68 dBu
<b>Output Stage Topology</b>	Class H
<b>Power Requirements</b>	240 V, 230 V, 120 V or 100 V; 50 Hz to 60 Hz (factory configured)
<b>Power Consumption</b> 1/8 Maximum Output Power @ 4 $\Omega$	850 W
<b>Mains Fuse</b>	240 V/230 V: T15AH; 120 V/100 V: T30AH
<b>Protection</b>	Audio limiters, high temperature, DC, HF, Back-EMF, Peak current limiters, Inrush current limiters, Turn on delay
<b>Cooling</b>	Front-to-rear, 3-stage-fans
<b>Ambient Temperature Limits</b>	+5°C to +40°C (40°F to +105°F)
<b>Safety Class</b>	I
<b>Color</b>	Black
<b>Dimensions</b> (W x H x D), mm	483 x 88 x 462.4
<b>Weight</b>	18.2 kg (40.1 lb)
<b>Signal Processing</b>	FIR Filters, Audio Limiters Output delay per channel, 31 band GEQ per channel, PEQ per channel, Load impedance
<b>Optional</b>	PC remote control software

Test signal for max. output power according IHF-A-202 (Dynamic-Headroom, burst 1 kHz/20 ms on/480 ms off/low level -20 dBu).

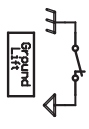
Input power exceeds 1.1 times rated power consumption with 2  $\Omega$  load in Dual mode or 4  $\Omega$  load in Bridged mode.



Dimensions



SAFETY COMPONENT MUST BE REPLACED BY ORIGINAL PARTS



Block diagram

## Ordering information

### **DSP power amplifier 2x1800W AU**

DSP power amplifier 2 x 1800W @ 4 ohms with FIR  
Drive, black, Australian region  
Order number **L3600FD-AU**

---

### **DSP power amplifier 2x1800W CN**

DSP power amplifier 2 x 1800W @ 4 ohms with FIR  
Drive, black, Chinese region  
Order number **L3600FD-CN**

---

### **DSP power amplifier 2x1800W EU**

DSP power amplifier 2 x 1800W @ 4 ohms with FIR  
Drive, black, European region  
Order number **L3600FD-EU**

---

### **DSP power amplifier 2x1800W JP**

DSP power amplifier 2 x 1800W @ 4 ohms with FIR  
Drive, black, Japanese region  
Order number **L3600FD-JP**

---

### **DSP power amplifier 2x1800W UK**

DSP power amplifier 2 x 1800W @ 4 ohms with FIR  
Drive, black, UK region  
Order number **L3600FD-UK**

---

### **DSP power amplifier 2x1800W US**

DSP power amplifier 2 x 1800W @ 4 ohms with FIR  
Drive, black, North American region  
Order number **L3600FD-US**

---

### **Accessories**

#### **RMK-15**

Rack Mount Kit for amplifiers, Length 15,5"; 1L/1R  
Order number **DC-RMK15**

---

#### **RMK-15**

Rack Mount Kit for amplifiers, Length 15,5"; 1L/1R  
Order number **DC-RMK15**

---

Bosch Security Systems B.V.  
Torenallee 49  
5617 BA Eindhoven  
Netherlands

[www.dynacord.com](http://www.dynacord.com)