

FX12-PRO



- Neodymium ND6 driver
- Neodymium ND12A mid transducer
- Extremely high sensitivity, 106 dB SPL 1W/1m
- Voice coil tracking protection

The Dynacord FX12-PRO is conceived as a medium to long-throw mid/high-frequency cabinet in coaxial design. It can be used also without subwoofer cabinets in high-quality sound reinforcement system for speech for medium-throw distances. The recommended active crossover frequency is 140 Hz, 18 dB/oct. Butterworth. In the low-mid range an ND 12A Electro-Voice loudspeaker chassis works into a conical horn. The 80 X 40 constant directivity horn, driven by an Electro-Voice 1.4-inch ND 6 neodymium driver delivers the frequency range above 1 kHz. The FX12-PRO is equipped with a passive crossover (1 kHz, 18 dB/oct).

Every transducer is protected against thermal overload by an electronic circuit called VOICE COIL TRACKING PROTECTION. This circuit senses the terminal voltages of the transducers and simulates the thermal behavior of the transducer's voice coils. In case of a potential thermal overload the power applied to the speakers is reduced to a safe level. Power amps up to 1200 W/8 Ω can be used in order to have maximum dynamic range without the danger of thermal overload in non-controlled situations. The VOICE COIL TRACKING PROTECTION exhibits 'soft' switching characteristics, so no annoying clicks or pops are audible. The circuitry automatically resets after the voice coil temperature has reached a safe value.

The FX12-PRO cabinet is made of 15 mm birch plywood. All corner joints and braces are grooved and glued in order to reduce cabinet resonances to a minimum. A powder-coated steel grille protects the speakers. The connector panel uses two 4-pole speakON connectors (input/output) for safe connection and easy chaining to the next loudspeaker. The pin assignment is switchable from NORMAL (1+, 1-) to SYSTEM (2+, 2-). The handle trays on the sides guarantee easy and safe transport. Four large-sized rubber feet and 4 castors allow easy handling and a safe stand. Accessories for easy 'flying' of the FX12-PRO cabinets are available. FIR and IIR controller presets can be downloaded from our website www.dynacord.com.

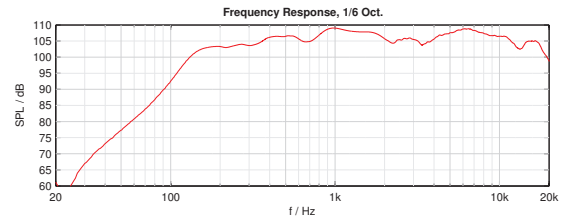
Parts included

Quantity	Component
1	FX12-PRO
1	Engineering data sheet
1	Important safety instructions

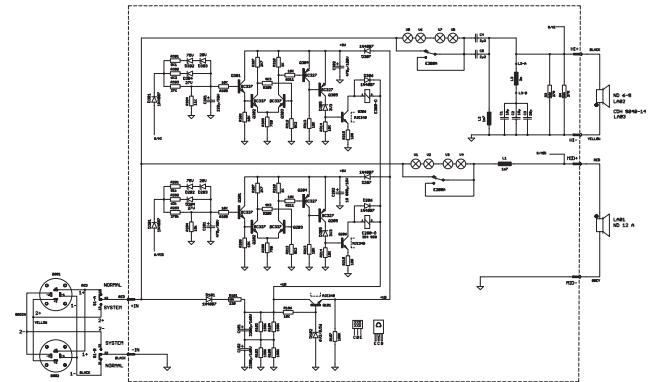
Technical specifications

Description	Passive mid-high speaker, coaxial conical horn
Nominal impedance	8 Ω
Power handling	<ul style="list-style-type: none"> Rated power RMS 350 W Program power 700 W Peak power 1400 W
Sound pressure level	<ul style="list-style-type: none"> SPL 1 W/1 m 106 dB Maximum SPL (1 meter) 137 dB
Frequency range (-10 dB), measured with Xa 4000	120–19000 Hz
Coverage angle nominal, 1 kHz, -6 dB (measured with Xa 4000)	H 80° × V 40°
Crossover frequency	1000 Hz
Recommended active crossover frequency to subwoofer	140 Hz, 18 dB/oct. Butterworth
Voice coil tracking protection	Separate circuits for lo-mid and high
Transducer	<ul style="list-style-type: none"> High frequency ND6-8/CDH 8040-14 Low-mid frequency ND12A
Audio sockets	<ul style="list-style-type: none"> Model 2 × NEUTRIK speakON NL4MPR Contacts “normal” 1+/1- Contacts “system” 2+/2-
Enclosure material	15 mm birch plywood
Enclosure finish	Heavy-duty structured lacquer
Color	Black (RAL 9005, jet black)
Grille	Powder coated steel
Handles	2
Castors	4
Product dimensions (Width × Height × Depth)	594 × 601 × 808 mm
Net weight	49.5 kg
Shipping weight	54.6 kg

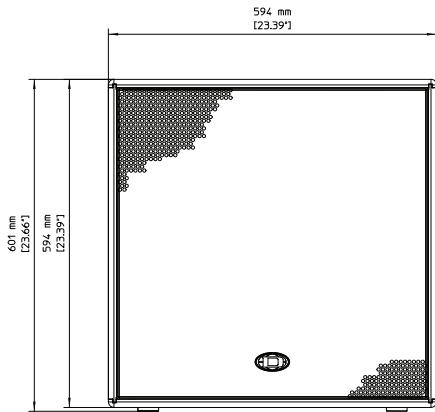
NEUTRIK, speakON and etherCON are registered trademarks of Neutrik AG.



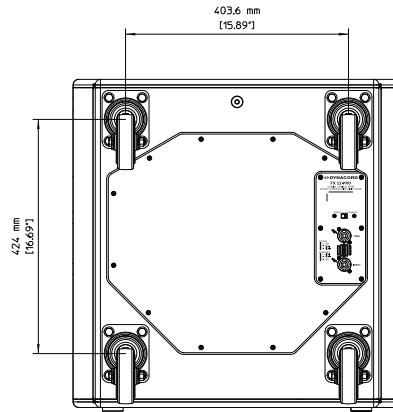
Frequency response



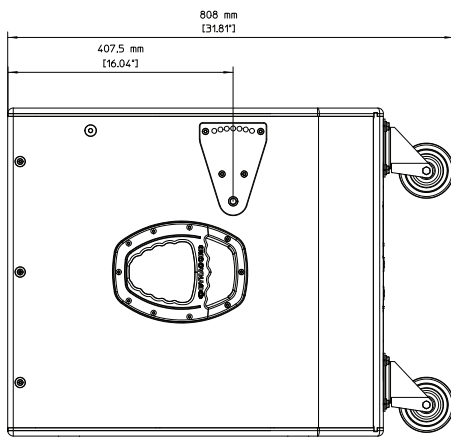
Circuit diagram



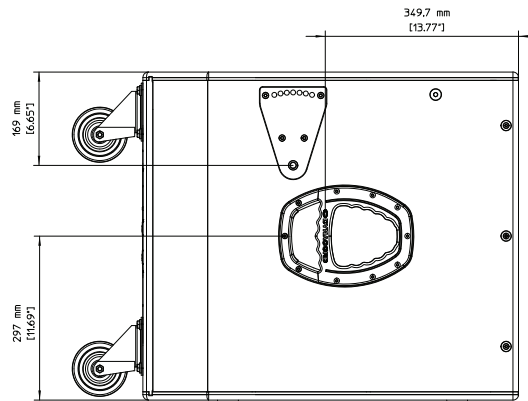
FRONT VIEW



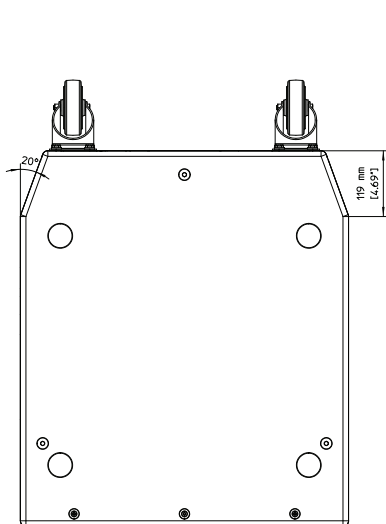
REAR VIEW



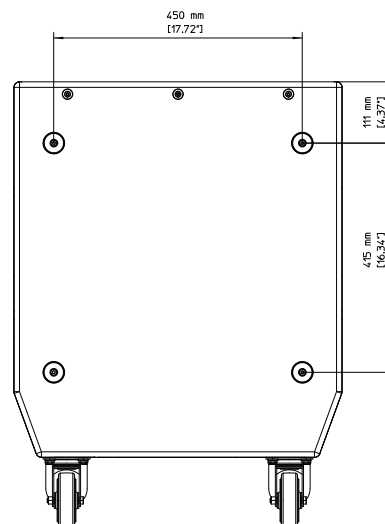
SIDE RIGHT



SIDE LEFT



TOP VIEW



BOTTOM VIEW

Dimensions

Installation/configuration notes

Warning!



We expressly point out that the relevant safety regulations must be observed for “flying” loudspeaker systems. It is imperative that qualified expert advice is sought.

Warning!



This loudspeaker system can permanently damage hearing! Use extreme care when setting sound pressure levels!

Warning!



Consult a certified structural engineer before any attempt to suspend this loudspeaker!

Loudspeaker can fall from improper suspension, resulting in severe injury and damage of property. Do not suspend or mount any other product or device from this loudspeaker enclosure! Use grade 5 hardware or better only!

Ordering information

FX12-PRO

12-inch/1.4-inch coaxial conical horn, 80° × 40°;
700 W/350 W; 8 Ω, painted
Order number **F.01U.308.088**

Accessories

DC-FB-FX12-PRO

Flying bracket for FX12-PRO (U-form)
Order number **F.01U.311.911**

TC-02

Truss clamp 43-50 mm
Order number **F.01U.100.657**

TC-TV

Truss Clamp > TV Spigot 2" Truss Adapter
Order number **F.01U.100.727**

FB-TV

TV Spigot for Flying-Brackets for: PM-TV or TC-TV
Order number **F.01U.100.845**

CSW 25

Wedge set (2 × wedge 2.5°)
Order number **F.01U.100.678**