

# FX20-PRO



- 600 W EVX 180B transducer
- 30–150 Hz (-10 dB)
- High-efficiency planar waveguide design
- Voice coil tracking protection

The Dynacord FX20-PRO is a planar waveguide bass horn, equipped with the high-power Electro-Voice EVX 180B 18-inch transducer. Frequency response is 30–150 Hz (-10 dB), so the crossover frequency to mid-high cabinets can be chosen strictly application-oriented between 80 Hz and 140 Hz.

The cabinet is equipped with an electronic circuit called VOICE COIL TRACKING PROTECTION. This circuit senses the terminal voltage of the transducer and simulates the thermal behavior of the woofer's voice coil. In case of potential thermal overload the power applied to the speaker is reduced to a safe level. Power amps up to 1200 W/8  $\Omega$  can be used in order to have maximum dynamic range without the danger of thermal overload in non-controlled situations. The VOICE COIL TRACKING PROTECTION exhibits "soft" switching characteristics, so no annoying clicks or pops are audible. The circuitry automatically resets after the voice coil temperature has reached a safe value.

The FX20-PRO cabinet is made of 15-mm birch plywood. All corner joints and braces are grooved and glued. A powder-coated steel grille protects the speakers. The connector panel uses two 4-pole speakON connectors (IN/OUT) for a safe connection and easy daisy-chaining to other cabinets. The pin assignment is 1+/1-. Pins 2+ and 2- are also connected

between the respective two speakON connectors. When using Dynacord power amp racks or system amplifiers, the whole system can be wired with 4-pole speakON cables without any danger of accidental wiring mistakes. The cabinet is equipped with eight large rubber feet that allow easy stacking. Six ergonomic handles and four heavy-duty castors on the rear side guarantee easy and safe transport. The surface is painted with a 2-component paint that can easily be renovated if sometimes necessary. FIR and IIR controller presets can be downloaded from our website [www.dynacord.com](http://www.dynacord.com).

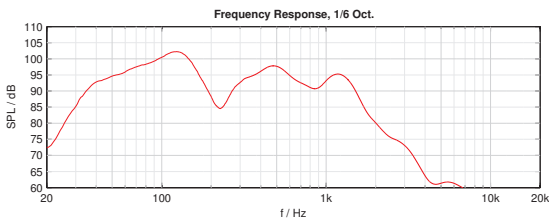
## Parts included

Quantity	Component
1	FX20-PRO
1	Engineering data sheet
1	Important safety instructions

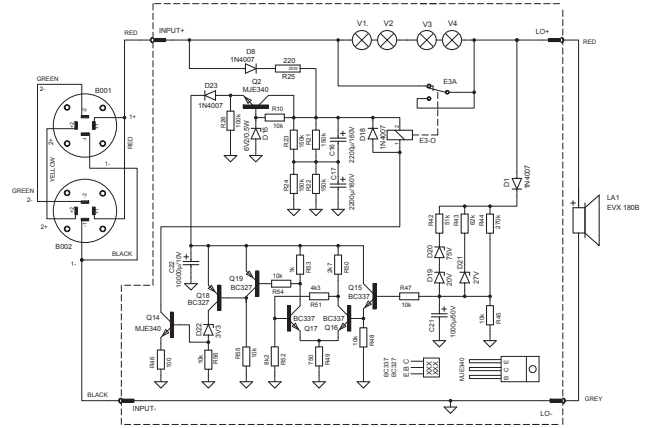
## Technical specifications

Description	Passive subwoofer, planar waveguide bass horn
Nominal impedance	8 Ω
Power handling	<ul style="list-style-type: none"> <li>Rated power RMS 600 W</li> <li>Program power 1200 W</li> <li>Peak power 2400 W</li> </ul>
Sound pressure level	<ul style="list-style-type: none"> <li>SPL 1 W/1 m 101 dB</li> <li>Maximum SPL (1 meter) 135 dB</li> </ul>
Frequency range (-10 dB), measured with Xa 4000	30–150 Hz
Recommended active crossover	140 Hz, 18 dB/oct. Butterworth frequency
Voice coil tracking protection	Yes
Transducer	EVX 180B
Audio sockets	<ul style="list-style-type: none"> <li>Model 2 × NEUTRIK speakON NL4MPR</li> <li>Contacts 1+/1-</li> </ul>
Enclosure material	Birch plywood, 15 mm
Enclosure finish	Heavy-duty structured lacquer
Color	Black (RAL 9005, jet black)
Grille	Powder coated steel
Handles	6
Castors	4
Product dimensions (Width × Height × Depth)	610 × 905 × 814 mm
Net weight	54.3 kg
Shipping weight	60.5 kg

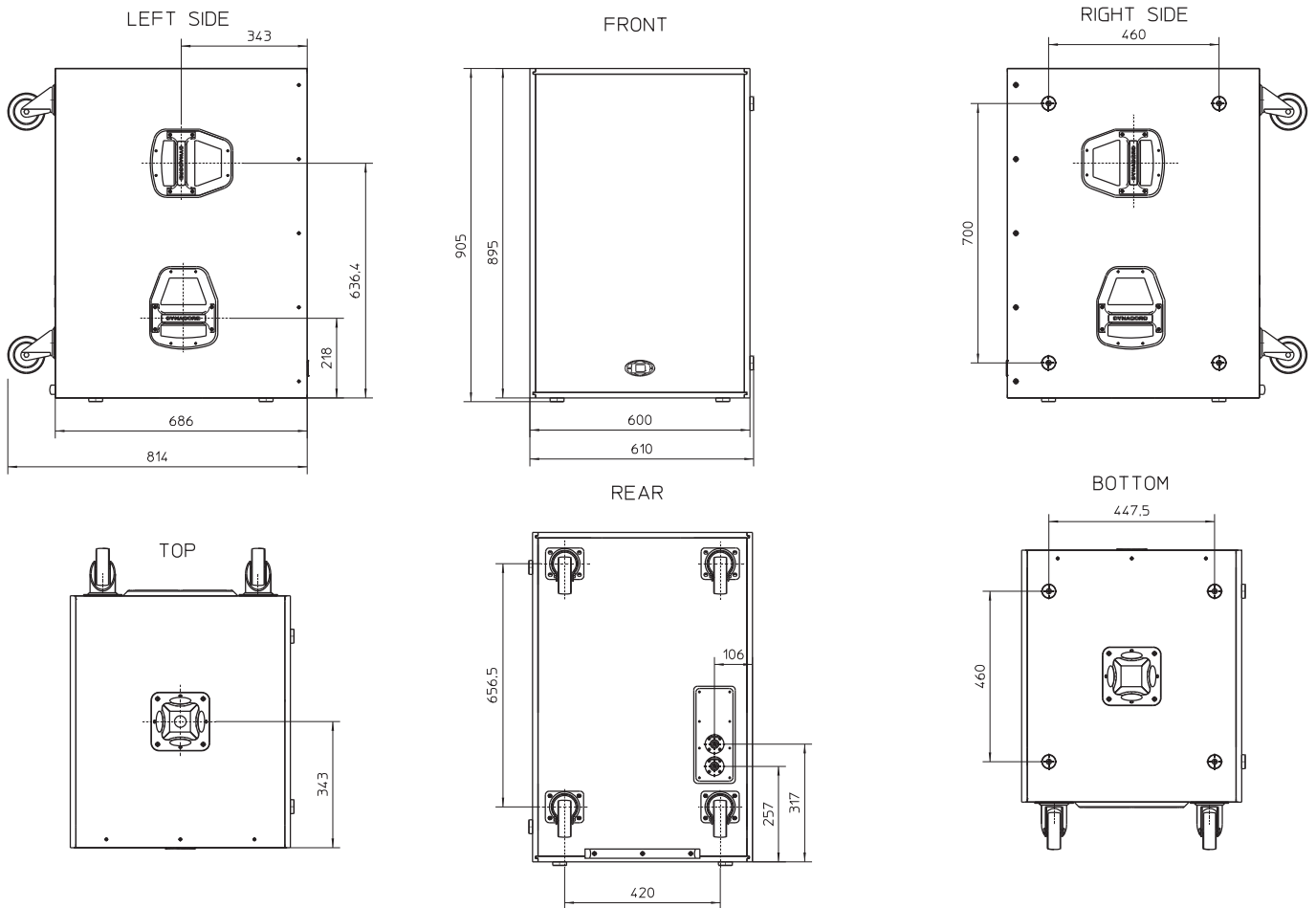
NEUTRIK, speakON and etherCON are registered trademarks of Neutrik AG.



Frequency response



Circuit diagram



### Dimensions

## Installation/configuration notes

### Warning!



We expressly point out that the relevant safety regulations must be observed for “flying” loudspeaker systems. It is imperative that qualified expert advice is sought.

### Warning!



This loudspeaker system can permanently damage hearing! Use extreme care when setting sound pressure levels!

### Warning!



Consult a certified structural engineer before any attempt to suspend this loudspeaker! Loudspeaker can fall from improper suspension, resulting in severe injury and damage of

property. Do not suspend or mount any other product or device from this loudspeaker enclosure! Use grade 5 hardware or better only!

## Ordering information

### FX20-PRO

1 × 18-inch planar waveguide bass horn; 1200 W/600 W; 8 Ω, painted  
Order number **F.01U.308.089**

Bosch Sicherheitssysteme GmbH  
Robert-Bosch-Ring 5  
85630 Grasbrunn  
Germany

[www.dynacord.com](http://www.dynacord.com)

© Bosch Sicherheitssysteme GmbH, 2015 | Data subject to change without notice  
Document Number F01U312215 | Vs1 | 28. Apr 2015