

# RE3-ACC-PASP 1 x 2 passive antenna splitter kit

- Splits two antenna signals into two diversity receivers
- Passes 12 volt booster feed to active antennas or boosters
- Low insertion loss
- Ideal companion kit to the RMK2 dual rack mount kit
- Also functions as a 2-in x 1-out combiner for sending two transmitter signals to one antenna



The PASP is a passive antenna splitter kit containing necessary items when splitting and sharing two incoming antenna signals between the diversity antenna jacks of two receivers. An ideal companion kit to the RMK2 dual rack kit, the PASP takes the signals collected by the front-mounted antennas on the RMK2's CXU2 jacks, and distributes them to the diversity antenna input jacks on two receivers. Will adapt any other sources of incoming cable-bound RF signals via BNC from remote antennas.



**Notice!**

Requires incoming signals attached via antenna cable (not supplied).

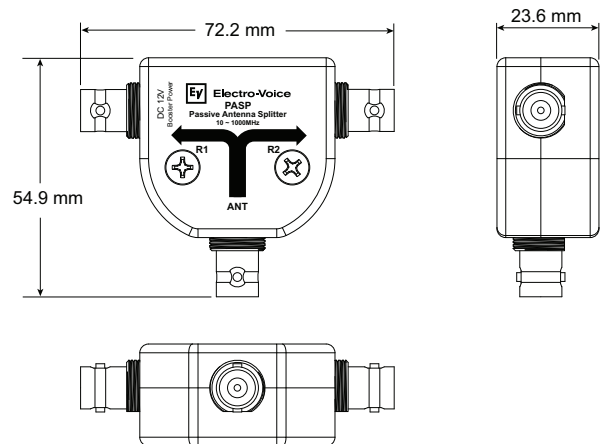
## Technical specifications

RF carrier frequency range:	10 - 1,000 MHz
Impedance:	50 $\Omega$
Isolation:	20 dB
Insertion loss:	2 dB
VSWR:	1:2
Color:	Black

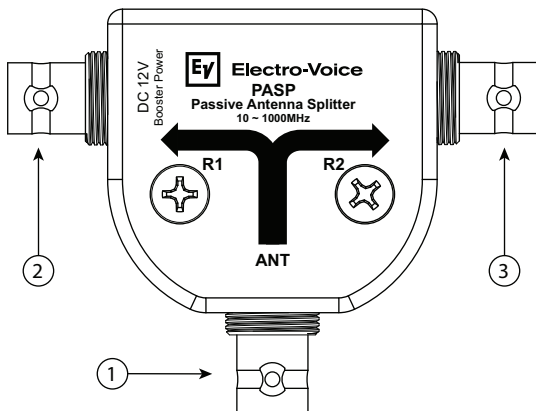
Net weight: 10.4 oz. (295 g)

Gross weight: 12.7 oz. (360 g)

**Dimensions:**

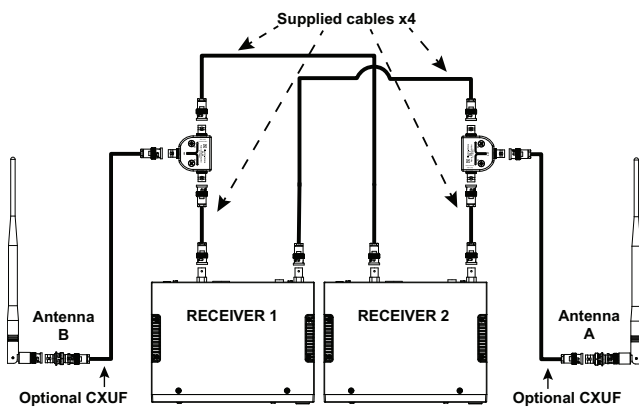


## Installation/configuration notes



1. BNC jack labeled #1 is where the incoming antenna signal is connected.  
*The cable connected here should be either a CXUF (as part of either RMK1 or RMK2 rack kits), or another BNC-terminated 50 ohm RF cable carrying incoming RF signal from an antenna.*
2. BNC jack labeled #2 (R1 if referencing the marking on the PASP module) will connect to receiver 1 via one of the supplied cables.  
*This jack will pass DC booster feed thru jack #1 on to an active booster, and if powering an active booster (RF amplifier such as RFAMP) that receiver's antenna power must be set to on.*
3. BNC jack labeled #3 (R2 if referencing the marking on the PASP module) will connect to receiver 2 via one of the supplied cables.

These items are repeated on the second PASP module. Good practice will be to feed antenna A input on each receiver from one PASP splitter module, and antenna B input on each receiver from the other PASP splitter module. See the Patch diagram.



Patch diagram

Represented by:

Germany:  
Bosch Sicherheitssysteme GmbH  
Robert-Bosch-Ring 5  
85630 Grasbrunn  
Germany

Bosch Security Systems, Inc.  
12000 Portland Avenue South  
Burnsville MN 55337  
USA

www.electrovoice.com

The patch diagram shows the typical patching of signals when front-mounting ½ wave antennas via CXUF cables found in the RMK2 dual rack kit. The four cables supplied with the PASP are used to connect the outputs of the splitters to the four receiver antenna input jacks. Notice that one antenna feeds RF signal to antenna A jacks on each receiver, and the other antenna feeds RF signal to antenna B jacks on each receiver.

### Replacement parts

Order number	Description
ESP-EF01U362353	PASP splitter module (1pc)

### Compatible products

Order number	Description
RE3-ACC-CXUF	Rear to front mount antenna cable kit
RE3-ACC-RFAMP	Active RF antenna booster; 470-960MHz
RE3-ACC-RMK1	Rack mount kit for single RE3 receiver
RE3-ACC-RMK2	Rack mount kit for two RE3 receivers
RE3-ACC-CXU2	2 foot antenna coax cable (pair)
RE3-ACC-CXU10	10 foot, 50 ohm BNC coax cable (pair)
RE3-ACC-CXU25	25 foot, 50 ohm low loss BNC coax cable
RE3-ACC-CXU50	50 foot, 50 ohm low loss BNC coax cable
RE3-ACC-CXU75	75 foot, 50 ohm low loss BNC coax cable
RE3-ACC-CXU100	100 foot, 50 ohm low loss BNC coax cable

## Parts included

Quantity	Component
2	PASP modules
4	2-foot 50 ohm antenna cables with BNC connectors
1	Engineering datasheet
1	Warranty and product documentation information card

## Ordering information

**RE3-ACC-PASP 1 x 2 passive antenna splitter kit**  
1 x 2 passive antenna splitter kit with two splitter modules and four antenna cables, black  
Order number **RE3-ACC-PASP**