

# RE3-ACC-RMK2 Rack mount kit for two RE3 receivers

- Equips two RE3 receivers for rack mounting
- Provides front mounting of antennas or cables
- Coupling plates firmly secure receivers together
- Two high-quality RG-58 50  $\Omega$  front-mount cables
- Includes rack ears, coupling plates, cables, mounting screws, and hole plugs

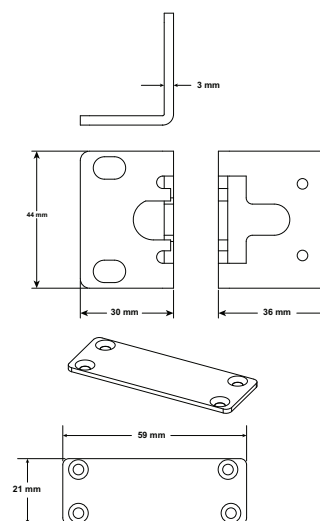


The RMK2 kit contains all necessary items to couple and mount two RE3-RX receivers into a 19" rack. The bridging plates firmly couple two receivers together ensuring the receivers are held securely in a rack. The rack ears easily mount to the receiver's threaded mounting holes using the provided screws. The threaded front flange mount ends of the antenna cables mount into the rack ears and securely mount either the stock receiver 1/2 wave antennas, or coax extension cables for remote antenna applications.

## Technical specifications

Coax type:	RG-58
Coax impedance:	50 $\Omega$
Color:	Black
Net weight:	8.3 oz. (235 g)
Gross weight:	10.6 oz. (300 g)

## Dimensions:

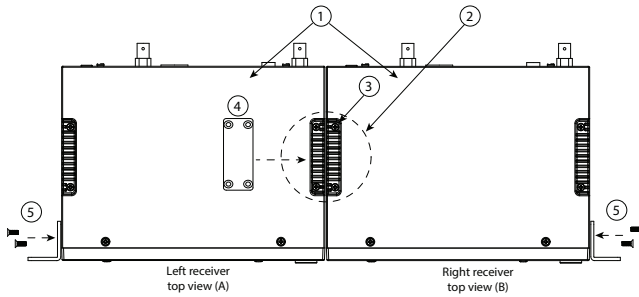


## Installation/configuration notes

### Installing the rack kit

To install the rack kit, do the following:

## 2 | RE3-ACC-RMK2 Rack mount kit for two RE3 receivers



A Left receiver top view      B Right receiver top view

1. On a flat surface, lay out two RE3 receivers side-by-side as they will appear in the rack.  
*The top and bottom of the receivers contain the same items that will be removed and replaced with coupling plates.*
2. Locate the skid pads on the top and bottom of each receiver.  
*Notice that the right-side skid pad of the left-hand receiver is adjacent to the left-side skid pad of the right-hand receiver.*
3. Remove and save the eight machine screws and set aside the four skid pads from the top and bottom coupling sites.  
*Remember when removing the screws to set them aside. They will be reused when attaching the coupling plates.*
4. Locate and place one of the coupling plates where the two adjacent skid pads had been on the top.
5. Using four of the screws removed previously, attach the coupling plate by tightening the screws securely.
6. Turn the units over and repeat this step on the opposite side.  
*When all eight screws are tight, the receivers will be securely coupled together.*
7. Locate the rack ears and supplied screws.  
*Ears will mount on either side of the receiver as they are the same orientation.*
8. Attach the rack ears to the receiver chassis by using two screws per ear.  
*The rack ear mounting holes will line up with the pre-tapped holes in the receiver side.*
9. Tighten all four screws securely.

### Installing the antenna cables

#### Notice!

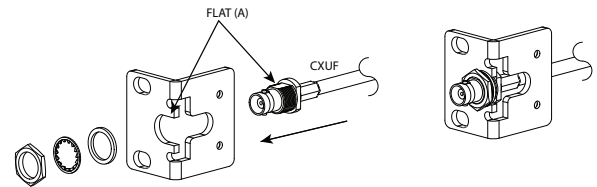


Mount the rack ears to each side of the receiver pair prior to installing the antenna cables.

To install the antenna cables, do the following:

1. Locate a CXUF rear to front antenna cable and determine the cable end containing a threaded flange-mount connector.  
*Two CXUF cables are in the kit.*
2. Remove the locking nut, crush washer, and rubber insulator from the threaded flange-mount connector.

3. While aligning the flat (A) portion of the threaded connector barrel with the flat portion of the rack ear front flange opening, slide the threaded barrel through the opening until it is fully extended through the rack ear flange.



4. Slide the rubber insulator ring onto the threaded connector barrel.
5. Slide the crush washer onto the threaded connector barrel.
6. Thread and tighten the nut onto the threaded connector barrel.  
*Ensure the nut is tightened securely to the connector barrel.*
7. Repeat steps 4-6 for the other cable and rack ear.
8. Connect the other ends of the antenna cables into antenna A and antenna B inputs of an antenna distribution device.  
*Antenna distribution device options: RE3-ACC-AASP active antenna splitter or the RE3-ACC-PASP passive antenna splitter.*



### Completed assembly

#### Replacement parts

Order number	Description
ESP-EF01U362341	RMK2 bridge plate screws RE3 (4pcs)
ESP-EF01U362356	RKMT antenna hole plugs RE3 (2pcs)

#### Compatible products

Order number	Description
RE3-ACC-AASP	2-in x 8-out antenna splitter 470-960MHz
RE3-ACC-PASP	1 x 2 passive antenna splitter kit

## Parts included

Quantity	Component
2	Rack ears
2	Coupling plates
2	CXUF front mount antenna cables
2	Plastic hole plugs
4	Mounting screws
1	Engineering datasheet
1	Warranty and product documentation information card

## Ordering information

### **RE3-ACC-RMK2 Rack mount kit for two RE3 receivers**

Dual rack mount kit for rack mounting two RE3 receivers, black

Order number **RE3-ACC-RMK2**

---

## 4 | RE3-ACC-RMK2 Rack mount kit for two RE3 receivers

---

**Represented by:**

**Germany:**  
Bosch Sicherheitssysteme GmbH  
Robert-Bosch-Ring 5  
85630 Grasbrunn  
Germany

Bosch Security Systems, Inc.  
12000 Portland Avenue South  
Burnsville MN 55337  
USA

[www.electrovoice.com](http://www.electrovoice.com)