



EV Innovative Design

# EVID C8.2HC Ceiling 8" Two-Way Coaxial High-Ceiling Loudspeaker System



## Key Features:

- 8" coaxial two-way with dual Integrated Waveguides
- Defined Coverage for High Ceiling Applications
- Waveguide coupled Ti Tweeter
- Full bandwidth overload protection
- Front baffle wattage tap adjustment
- Integrated low loss matching transformer allows for either 70v/100v or 8-ohm operation
- Includes tile bridge and mounting ring for easy installation
- Integrated ported enclosure for extended bass response
- UL and CE listed



## General Description:

The Electro-Voice® EVID C8.2HC is an 8" coaxial transducer featuring an innovative waveguide (patent pending) that provides directivity control to 1 kHz. It provides much better music fidelity and speech intelligibility in spaces with high ceiling heights than typical flush units are capable of. Its 75° coverage pattern provides the same coverage area when used in a 21' ceiling as a typical flush mount mounted unit in an 8' ceiling. This loudspeaker system is a complete two-way ceiling loudspeaker package. The package consists of a bezel/waveguide assembly, grille, rear enclosure, 8-inch coax two-way loudspeaker with waveguide coupled titanium coated dome tweeter and internal line-matching transformer. The C8.2HC utilizes a transformer that offers a selection of 7.5 (70-V only), 15, 30 or 60 watts delivered to the loudspeaker system using either 70-V or 100-V lines, or 8-ohm bypass. Selection is via a convenient switch on the front of the waveguide. The perforated grille is finished in semi-gloss white powder-coated enamel. The baffle and bezel are constructed from UL 94V-0 rated ABS. The rear enclosure, with fiberglass damping material, provides an optimum internal volume for extended low-frequency performance. A rear cover, with provisions for a junction box fitting, provides access to a 4-pin terminal block that allows direct connection to the speaker with 12 gauge wire and provides pass through to additional speakers. A tile bridge is included for safe suspension of the C8.2HC ceiling system in a drop ceiling that uses mineral wool, or other fiber-based ceiling tiles. The EVID line of ceiling speakers has been designed to work together as a complete system in a wide range of different ceiling constructions. They provide controlled dispersion, high-efficiency, high-maximum output, ease of installation, and wide-range reproduction of music or voice.

## Technical Specifications:

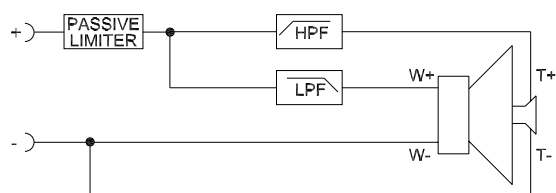
Freq. Response (-10 dB):	50 Hz - 20 kHz
Coverage (Conical):	75° nominal above 1 kHz
Power Handling:	75 W Cont. / 300 W Peak
Sensitivity (SPL 1W/1m):	93 dB
Max Calculated SPL:	112 dB Cont. / 118 dB Peak
Impedance:	8 Ohms nominal (transformer bypass)
Network:	Network and transducers protected, 12 dB/oct 2.6 kHz
LF Transducer:	8 in. (200 mm) Polypropylene cone in waveguide
HF Transducer:	1 in (25 mm) Ti Mylar laminate
Transformer Taps:	70V: 7.5, 15, 30 or 60W 100V: 15, 30 or 60W Bypass: 8 Ohms
Connectors:	Phoenix type removable, with screw terminals and "loop-thru", accepts 12 ga wire
Enclosure Material:	Baffle - UL 94V-0 rated ABS Backcan - Zinc plated steel
Grille:	Perforated powder coated steel with safety tether
Support Hardware:	Tile bridge, backing plate support, cutout template, paint shield
Dim (H x Dia.):	11.9" x 12.6" (303mm x 320mm)
Cutout Size:	12.625" (322 mm)
Net Weight (each):	13.2 lbs (6.0 kg)
Shipping Weight (pair):	30.0 lbs (13.5 kg)
Safety Agency Ratings:	UL 1480. Safe for use in air handling spaces per UL 2043.

All Specifications based on Half Space Environment in ceiling.

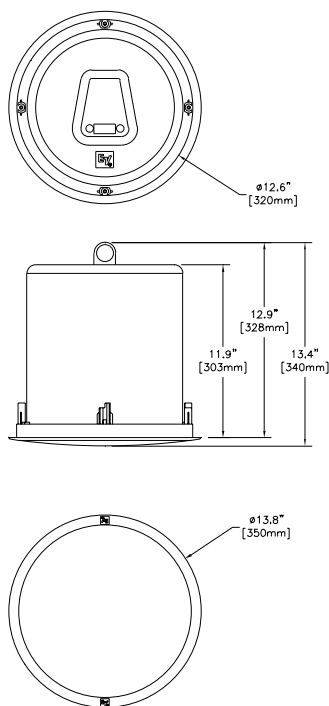
## Architects' & Engineers' Specifications:

The EVID C8.2HC loudspeaker system shall be comprised of a UL 94V-0 fire rated ABS baffle/bezel assembly, zinc plated steel rear enclosure, powder coated grille with safety tether, transformer with 8 ohm bypass and waveguide loaded 8-inch polypropylene low frequency transducer with coaxially-mounted waveguide coupled 1-inch titanium dome tweeter. Both the low frequency and high frequency drivers shall be waveguide coupled to provide dispersion control over the specified frequency range. The loudspeaker shall meet the following criteria: power rating shall be 75 watts of EIA RS-426A pink noise (6 dB crest factor). Frequency response, uniform from 50 Hz to 20 Hz. Pressure sensitivity, 93 dB SPL at 1 meter (3.3 feet) on axis with one watt of pink noise (ref. 20 $\mu$ Pa). Minimum impedance, 6.0 ohms. The loudspeaker shall be 320 mm (12.6 in.) in diameter and 303 mm (11.9 in.) deep. Weight shall be 6.0 kg. (13.2 lb). The coaxial ceiling loudspeaker shall be the Electro-Voice® model EVID C8.2HC.

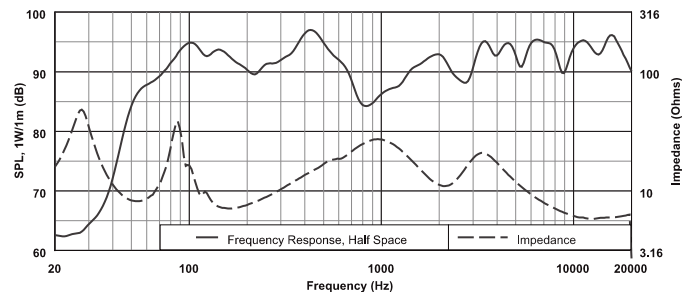
## Block Diagram:



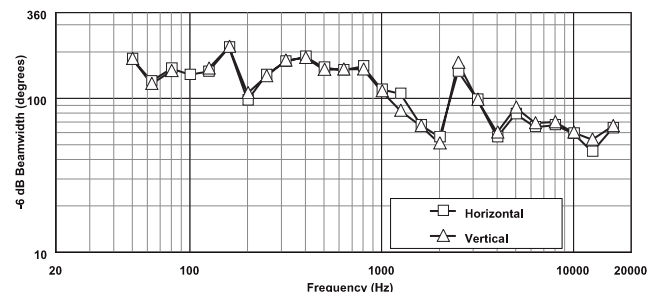
## Dimension Drawings:



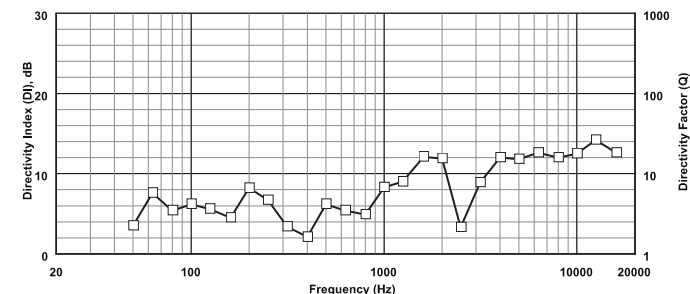
## Frequency Response:



## Beamwidth:



## Directivity:



## Performance Match:

- CPS-1 Power Amplifier
- CPS-2 Power Amplifier
- CPS-2T Power Amplifier
- MA-1206 Mixer Amplifier
- MA-1212 Mixer Amplifier

## EVID C8.2HC Part Number

- 301262-000

**Electro-Voice®**

12000 Portland Avenue South, Burnsville, MN 55337  
Phone: 952/884-4051, Fax: 952/884-0043

[www.electrovoice.com](http://www.electrovoice.com)

© Telex Communications, Inc. 9/2006

Part Number 38110-127 Rev C

U.S.A. and Canada only. For customer orders, contact Customer Service at:

**800/392-3497 Fax: 800/955-6831**

Europe, Africa, and Middle East only. For customer orders, contact Customer Service at:

**+ 49 9421-706 0 Fax: + 49 9421-706 265**

Other International locations. For customer orders, contact Customer Service at:

**+ 1 952 884-4051 Fax: + 1 952 887-9212**

For warranty repair or service information, contact the Service Repair department at:

**800/685-2606**

For technical assistance, contact Technical Support at: **866/78AUDIO**

Specifications subject to change without notice.