

ZLX-BRKT ZLX Wall Mount Bracket

ZLX-BRKT

en | Installation Note



1**Safety**

**Caution!**

Due to the weight of the speaker system, it is imperative the bracket be properly secured to the wall. The choice of fastener (not supplied) will be determined by the material and construction of the mounting surface.

2

Installation

Installing ZLX Mounts

The ZLX Wall Mount Bracket is designed for use with all of the ZLX Series loudspeakers.

To **attach the mounts to a ZLX Series loudspeaker**, do the following:

1. Remove the **top handle** from the loudspeaker by removing the four (4) screws. Keep these screws to assemble the upper mount.

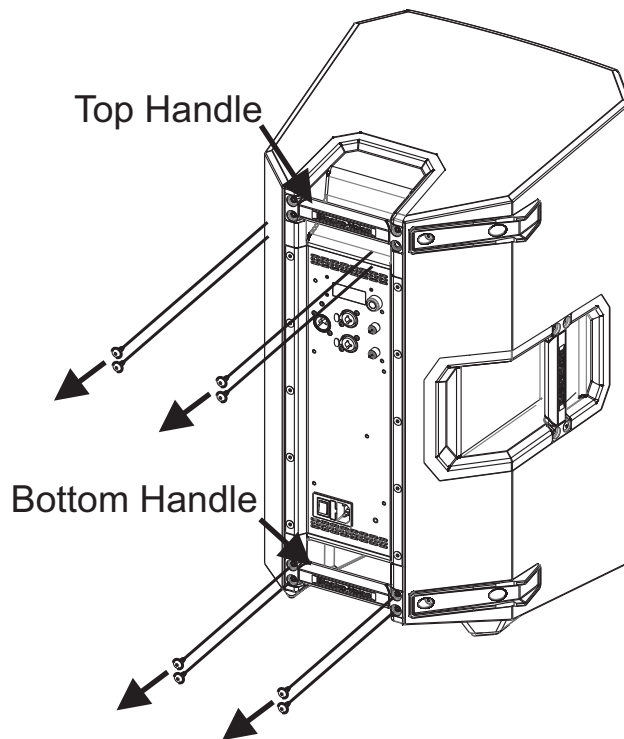


Figure 2.1: Remove Handles

2. Remove the **bottom handle** from the loudspeaker by removing the four (4) screws. Keep these screws to assemble the lower mount. (See Figure 2.1.)
3. Attach the **upper mount** to the loudspeaker with four (4) of the screws from step 1, where the top handle was located in the up position. If you are attaching the upper bracket to a 15 inch ZLX loudspeaker attach the upper mount in the down position.

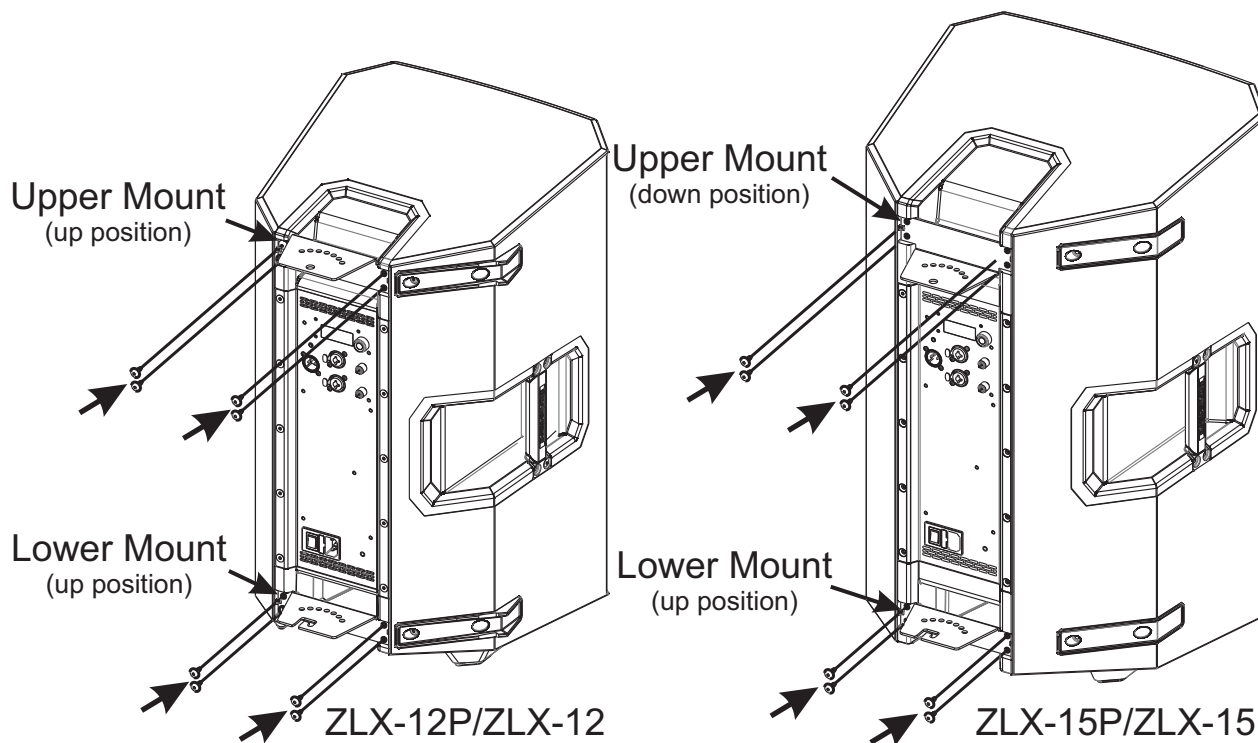


Figure 2.2: ZLX Attach Mounts

4. Attach the **lower mount** with four (4) of the screws from step 2, where the bottom handle was located in the up position. (See Figure 2.2.)

ZLX Wall Mount Bracket–Vertical Installation

To **vertically wall mount a ZLX Series loudspeaker**, do the following:



Caution!

Due to the weight of the speaker system, it is imperative the bracket be properly secured to the wall. The choice of fastener (not supplied) will be determined by the material and construction of the mounting surface.

1. Attach the **U-bracket** to the wall using fasteners suitable for the wall material (not supplied).
2. Lift the **loudspeaker** and place the **upper mount** onto the pivot pin on top of the U-bracket.

ZLX-BRKT ZLX Wall Mount Bracket

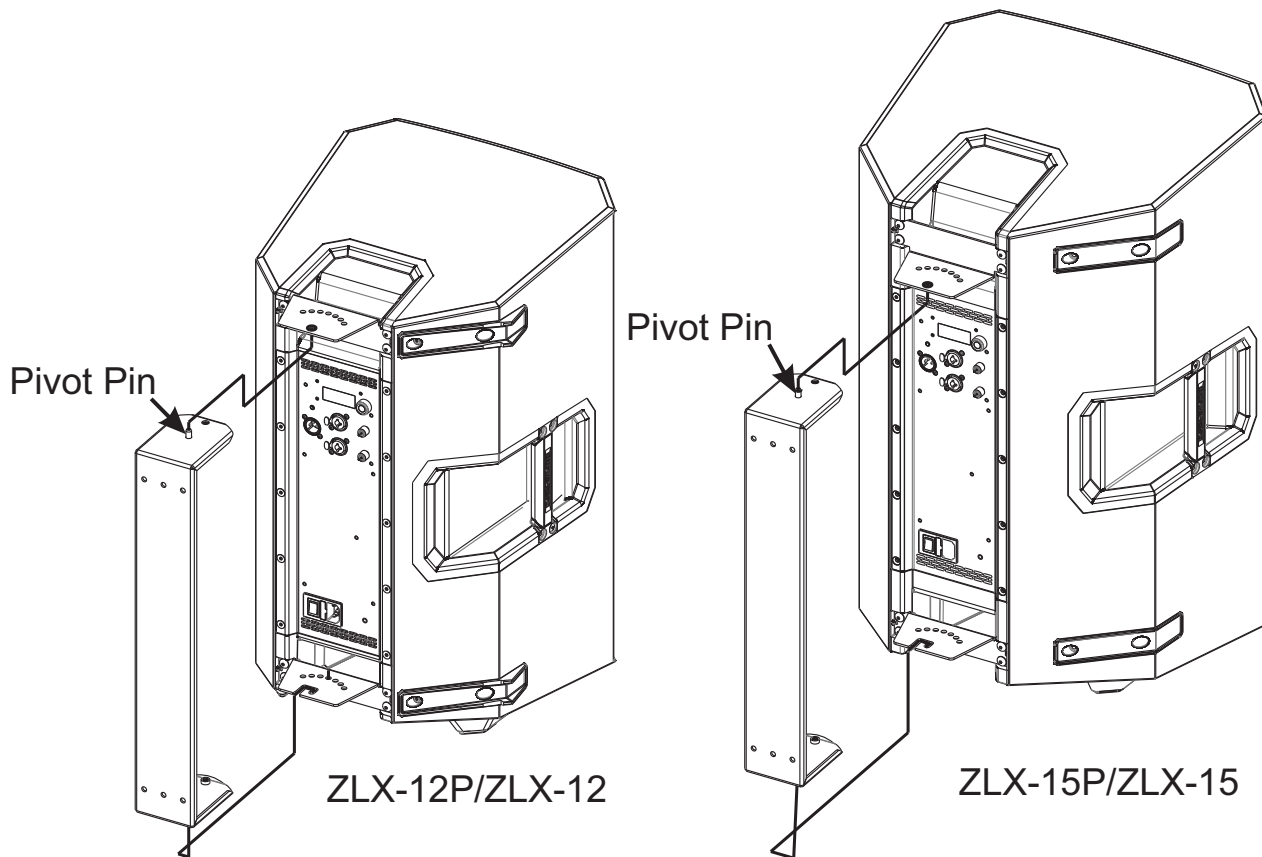


Figure 2.3: Guide onto U-bracket

3. Guide the **lower mount** and ensure the lower U-bracket pivot pin is securely placed in the notch. (See Figure 2.3.)
The loudspeaker is loosely hung and allows you to position the loudspeaker.
4. Position the **loudspeaker** for the desired angle. (See Figure 2.4.)

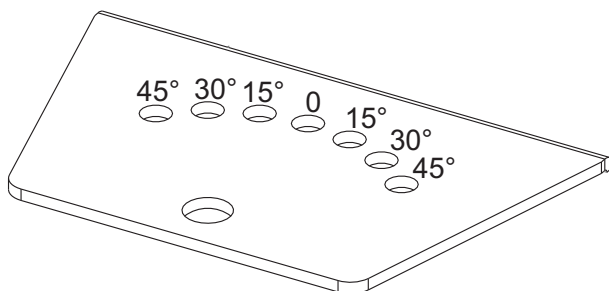


Figure 2.4: Angle Degrees

5. Insert and tighten the two (2) **screws** (supplied) sufficiently so that the loudspeaker does not inadvertently rotate.

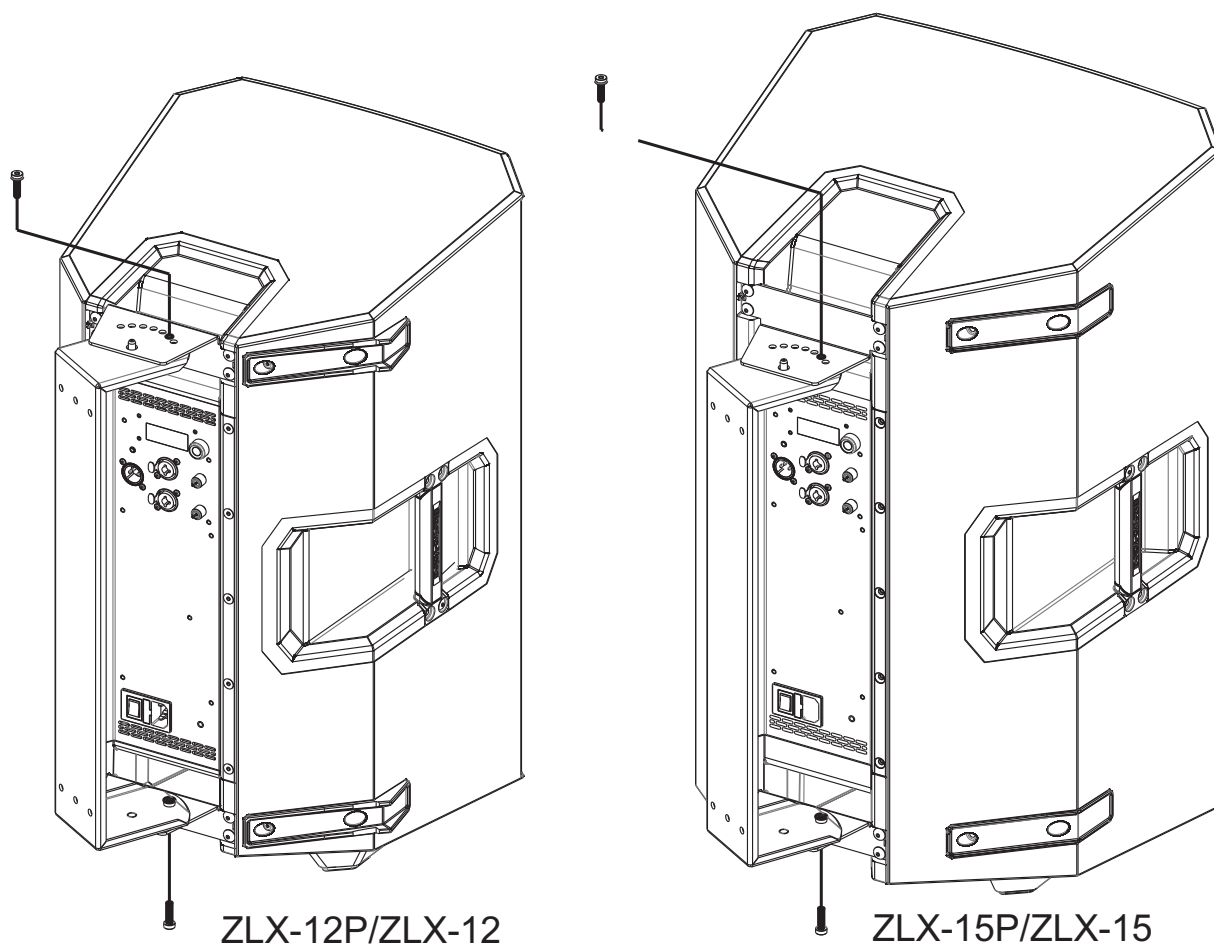


Figure 2.5: Secure Loudspeaker

ZLX Wall Mount Bracket–Horizontal Installation

To horizontally wall mount a ZLX Series loudspeaker, do the following:



Caution!

Due to the weight of the speaker system, it is imperative the bracket be properly secured to the wall. The choice of fastener (not supplied) will be determined by the material and construction of the mounting surface.

1. Attach the **U-bracket** to the wall using fasteners suitable for the wall material (not supplied).
2. Lift the **loudspeaker** and rotate the loudspeaker to a horizontal position where the side handle is on the top.
3. Lift the **loudspeaker** and place the **upper mount** onto the pivot pin on left side of the U-bracket.

ZLX-BRKT ZLX Wall Mount Bracket

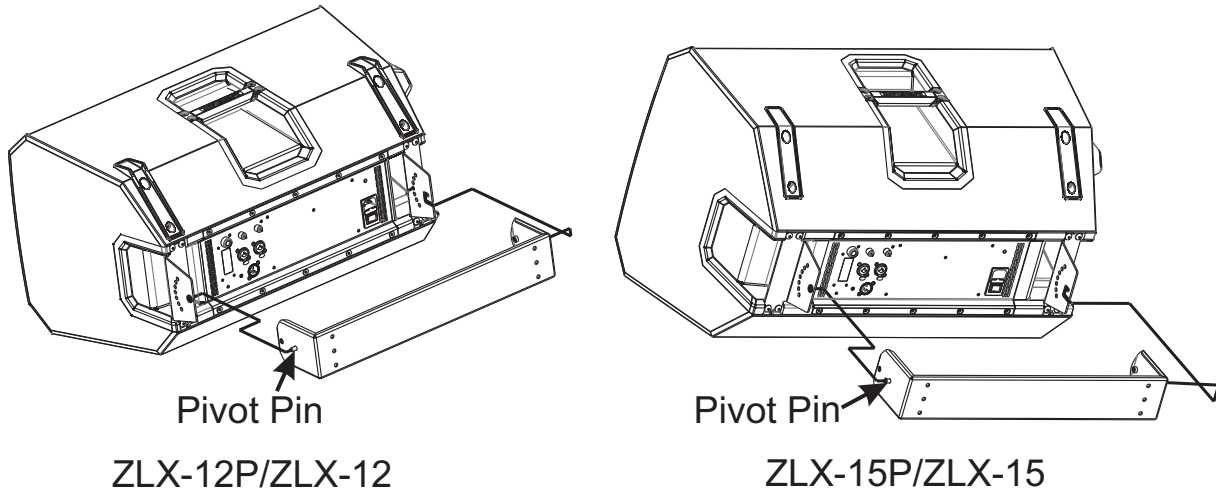


Figure 2.6: Guide onto U-bracket—Horizontal

4. Guide the **lower mount** and ensure the lower U-bracket pivot pin is securely placed in the notch. (See Figure 2.6)
The loudspeaker is loosely hung; gently allow the loudspeaker to rest against the mounting surface.
5. Position the **loudspeaker** for the desired angle. (See Figure 2.4.)
6. Insert and tighten the two (2) **screws** (supplied) sufficiently so that the loudspeaker does not inadvertently rotate.

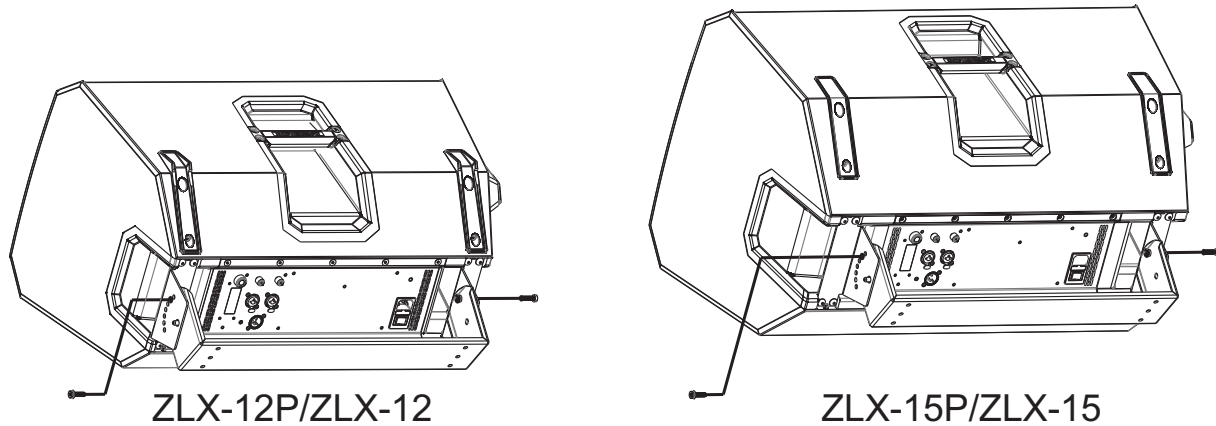


Figure 2.7: Secure Loudspeaker—Horizontal

Horizontal Wall Mount ZLX Series Loudspeaker with High Frequency on the Left

In a situation where you want to setup a proper left/right stereo configuration is needed, use this method.

To **horizontally wall mount a ZLX Series loudspeaker with High Frequency on the left**, do the following:



Caution!

Due to the weight of the speaker system, it is imperative the bracket be properly secured to the wall. The choice of fastener (not supplied) will be determined by the material and construction of the mounting surface.

1. Attach the **U-bracket** to the wall using fasteners suitable for the wall material (not supplied).
2. Follow the **Installing ZLX Mounts** installation instructions but install the upper and lower mounts on the opposite handles.
 Note: the upper mount will be attached to where the lower handle was located and the lower mount will be attached to where the upper handle was located.

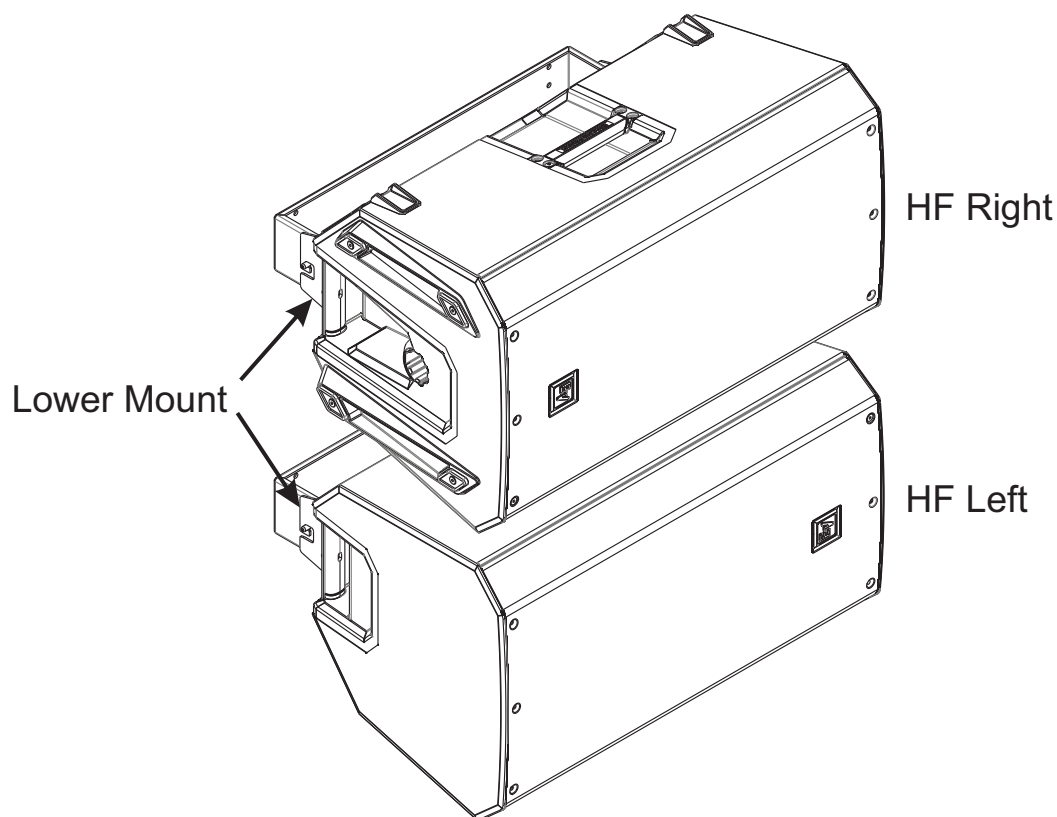


Figure 2.8: ZLX HF on the Left—Horizontal

3. Lift the **loudspeaker** and rotate the loudspeaker to a horizontal position where the side handle is on the bottom.
4. Lift the **loudspeaker** and place the **lower mount** (positioned on the left side) onto the pivot pin on left side of the U-bracket. (See Figure 2.6)
5. Guide the **upper mount** (positioned on the right side) and ensure the lower U-bracket pivot pin is securely placed in the notch.
The loudspeaker is loosely hung; gently allow the loudspeaker to rest against the mounting surface.
6. Position the **loudspeaker** for the desired angle. (See Figure 2.4.)
7. Insert and tighten the two (2) **screws** (supplied) sufficiently so that the loudspeaker does not inadvertently rotate. (See Figure 2.7)

3 Technical data

Quantity	Description
1	U-bracket
1	Upper mount
1	Lower mount
2	Screws

Table 3.1: Components

Dimensions (H x W x D):	
Net Weight:	
Shipping Weight:	

Table 3.2: Specifications

Bosch Security Systems, Inc

12000 Portland Avenue South

Burnsville MN 55337

USA

www.electrovoice.com

© Bosch Security Systems, Inc, 2013
