

# ZxA1-90

## 8-Inch Two-Way 800 Watt Amplified Loudspeaker System



### Key Features:

- Integrated 800W Lightweight Power Amplifier
- Selectable 100 Hz High Pass Filter
- Bi-amplified Design with Steep Crossover Slopes and Transducer Protection
- EV8L 8" High-Output LF Transducer
- DH2005 1" Exit True Compression Driver
- 90° x 50° Coverage Pattern
- Rotatable Horn Design
- Integral Monitor Angle on Enclosure
- Line and Microphone Inputs
- 123 dB Maximum SPL
- Built-In Pole Mount
- Integral Handle Pocket for Easy Carrying



### General Description:

The Electro-Voice ZxA1 is a compact, amplified loudspeaker system, which is designed for portable sound reinforcement applications that require maximum portability.

The ZxA1 utilizes the EV8L, a high output, low distortion, 203 mm (8 inch) woofer. The woofer is paired with the DH2005, a titanium diaphragm true compression driver. The compression driver is coupled to a rotatable 90° x 50° waveguide for smooth response to 20 kHz and excellent pattern control.

The ZxA1 loudspeaker is powered by an integrated 800W, 2 channel amplifier module. The amplifier has XLR microphone and line level inputs, as well as a XLR line level output for daisy chaining several amplified speakers or a subwoofer. The bi-amplified design features steep crossover slopes and woofer excursion protection for maximum output and reliability. A switchable high pass filter allows for use with a subwoofer.

The ZxA1 injection molded enclosure is made from high impact polystyrene for durability and light weight. The handle pocket and pole mount make the ZxA1 ideal for many portable applications. The ZxA1 enclosure also features a built in monitor angle for floor monitor applications. The bottom of the ZxA1 features four #8-32 suspension points for permanent installation.

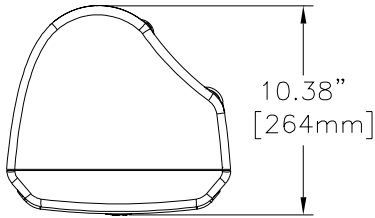
### Technical Specifications:

Freq. Response <sup>1</sup> (-3 dB):	60 Hz - 20 kHz
Freq. Range <sup>1</sup> (-10 dB):	48 Hz - 20 kHz
Max. Calculated SPL:	123 dB
Horizontal Coverage:	90° or 50°
Vertical Coverage:	50° or 90°
Amplifier Power Output:	800W
LF Transducer:	EV8L, 203mm (8 in) Driver
HF Transducer:	DH2005, 25mm (1 in) Exit Compression Driver
Crossover Frequency:	1.8 kHz
High Pass Frequency:	100 Hz, User Selectable
Power Requirement (120V):	95V - 132V, 50 - 60 Hz, 0.6A
Power Requirement (230V):	190V - 264V, 50 - 60 Hz, 0.4A
Line Input:	XLR and TRS Combo
Mic Input:	XLR with Independent Gain
Line Output:	XLR (Mic and Line Sum)
Enclosure Material:	High Impact Polystyrene
Grille:	Polyester Powder Coated, 18GA Galvanized Steel
Dimensions (H x W x D):	457mm x 282mm x 264mm (17.98" x 11.12" x 10.38")
Net Weight:	19.0 lbs (8.6 kg)
Shipping Weight:	22.7 lbs (10.3 kg)

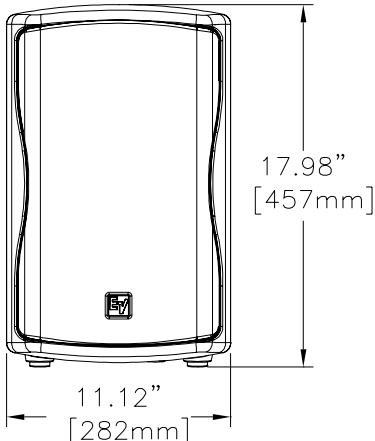
<sup>1</sup> Full Range Mode



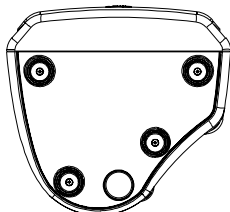
## Dimension Drawings:



Top View

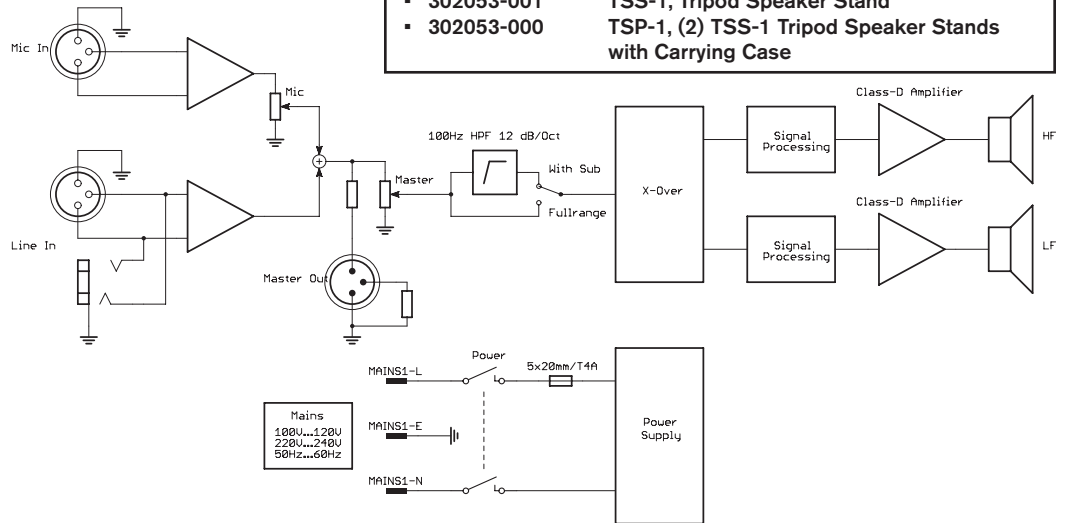


Front View

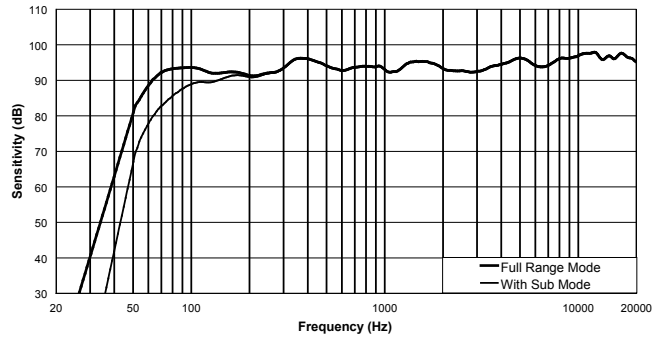


Bottom View

## Block Diagram:



## Frequency Response:



### ZxA1-90 Part Numbers

- PRD000261-001 ZxA1-90B, 120V, Black, 90° x 50° Coverage
- PRD000261-002 ZxA1-90W, 120V, White, 90° x 50° Coverage
- PRD000261-005 ZxA1-90B, 230V, Black, 90° x 50° Coverage
- PRD000261-006 ZxA1-90W, 230V, White, 90° x 50° Coverage

### Accessories

- 301916-001 MP1-B, Mounting Plate Kit, Black
- 301917-001 CB1, Carrying Bag, Convertible, Black
- 301919-001 SC-Zx1, Slip Cover for Zx1, Black
- 302023-001 CA-Zx, Truss Clamp Adapter for Zx1
- 302053-001 TSS-1, Tripod Speaker Stand
- 302053-000 TSP-1, (2) TSS-1 Tripod Speaker Stands with Carrying Case

**Electro-Voice®**

12000 Portland Avenue South, Burnsville, MN 55337  
Phone: 952/884-4051, Fax: 952/884-0043

www.electrovoice.com

© Bosch Communications Systems

01/2010

Part Number LIT000393 Rev 02

U.S.A. and Canada only. For customer orders, contact Customer Service at:

**800/392-3497 Fax: 800/955-6831**

Europe, Africa, and Middle East only. For customer orders, contact Customer Service at:

**+ 49 9421-706 0 Fax: + 49 9421-706 265**

Other International locations. For customer orders, Contact Customer Service at:

**+ 1 952 884-4051 Fax: + 1 952 887-9212**

For warranty repair or service information, contact the Service Repair department at:

**800/685-2606**

For technical assistance, contact Technical Support at: **866/78AUDIO**

Specifications subject to change without notice.