



## EBK-M10 Eyebolt Attachment Kit

The Electro-Voice® EBK-M10 Eyebolt Attachment Kit contains three shoulder eyebolts, along with three fender washers for load distribution, which attach to Electro-Voice® speakers that have integrated M10 suspension points. The eyebolt attachment points can be used to suspend the Electro-Voice® speakers using hardware rated for overhead lifting. The loudspeaker is suspended using two main suspension points with a pull-up point in the back for aiming. Two suspension points can be used to prevent the speaker from swaying, but the rigging hardware (shackles, etc.) attaching to the eyebolt must fit through the 25-mm (1-in.) opening.

Part No.	Quantity	Description	Material
FST000035-000	3	M10 x 36mm (1.42 in.) Shoulder Eyebolts	Drop Forged Steel
HDW000006-000	3	3/8" ID x 1-1/2" OD Fender Washers	Stainless Steel, Black

Table 1: EBK-M10 Contents

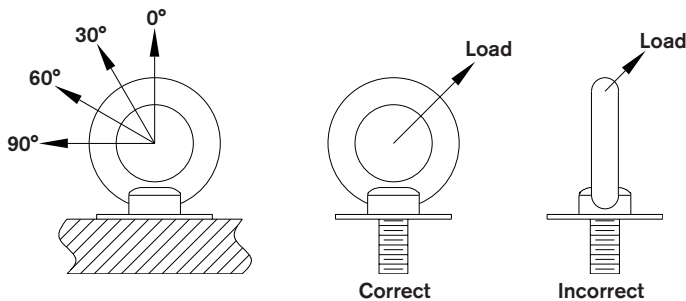


Figure 1: Suspension Point and Load Angles

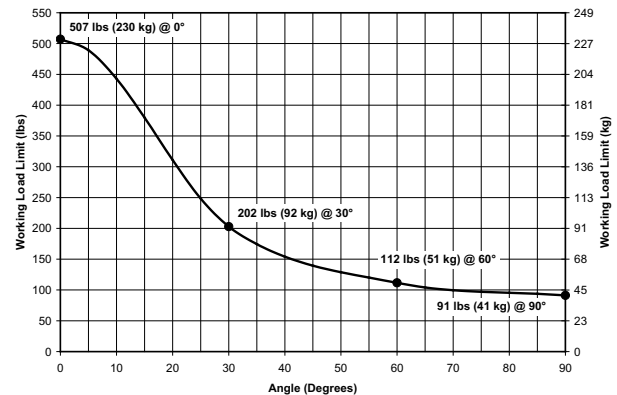


Table 2: Working-Load vs. Angle (6:1 Safety Factor)

### Installation Instructions:

1. Remove the M10 shoulder bolts from the speaker (See Figure 2).
2. Screw the lifting eyebolt and fender washer into the insert until the fender washer has contacted the wood (See Figure 3).
3. Finger tighten eyebolt until correct alignment position is obtained, a maximum of one complete turn.
4. Use certified hardware rated for overhead lifting to suspend the speaker (See Figure 6).

**WARNING:** Eyebolts must be fully seated and oriented in the plane of pull (Figure 4). Always use the fender washers to distribute the load on the enclosure (Figure 5). Overtightening the eyebolt with a wrench, screwdriver, etc. can result in system failure and injury. Consult the loudspeaker user manual for the loudspeaker load ratings and specific requirements.

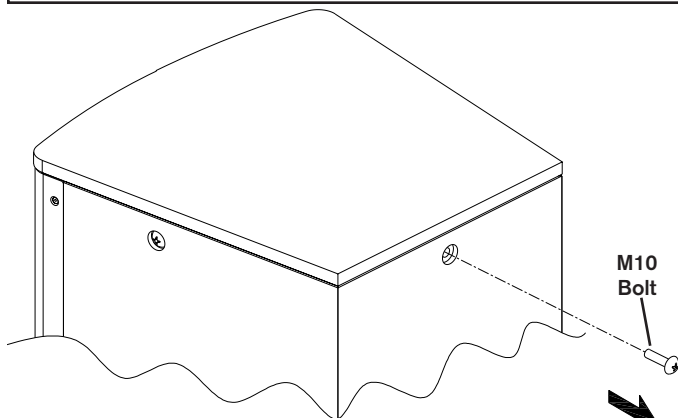


Figure 2: Removing the M10 Bolts from the Loudspeaker

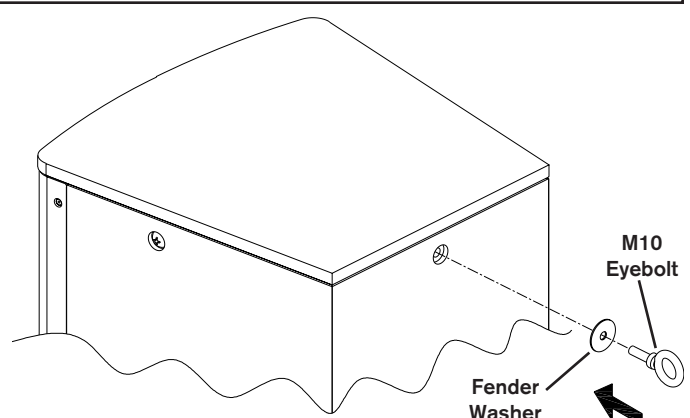


Figure 3: Installing Fender Washers and Eyebolts to the Loudspeaker

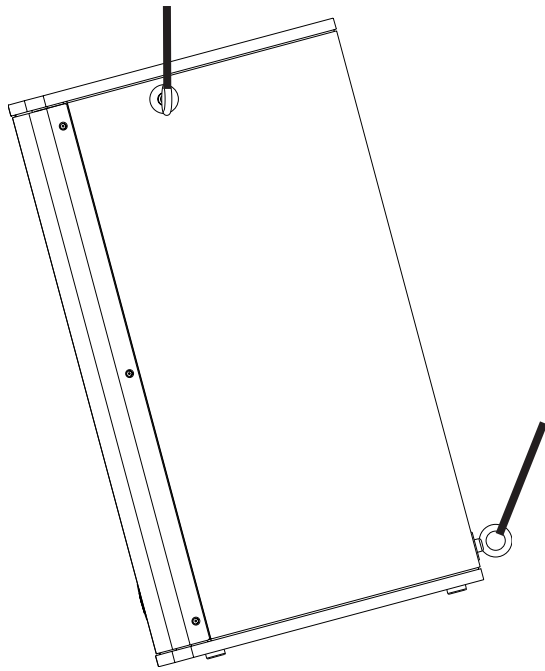


Figure 4a: Eyebolts shown oriented in the plane of pull (CORRECT)

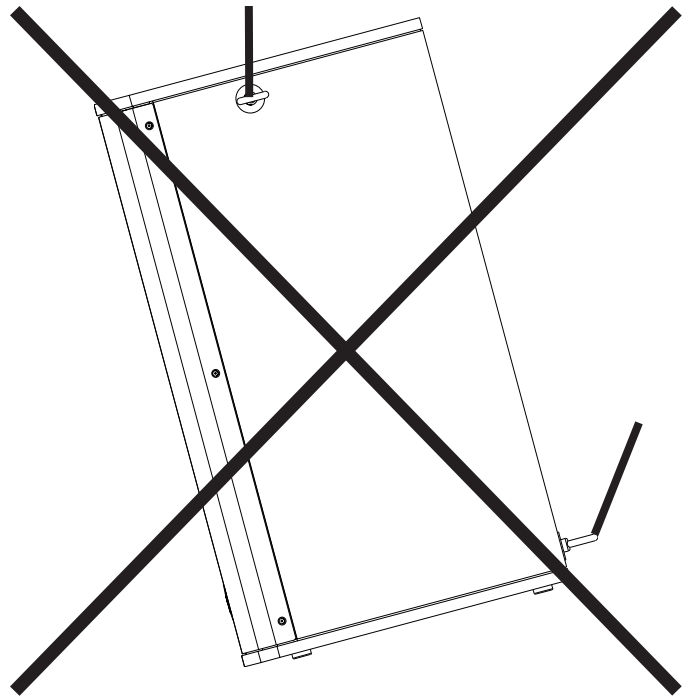


Figure 4b: Eyebolts NOT oriented in the plane of pull (INCORRECT)

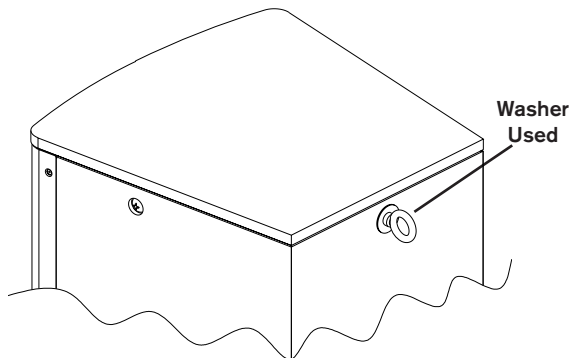


Figure 5a: Eyebolt shown with Washer (CORRECT)

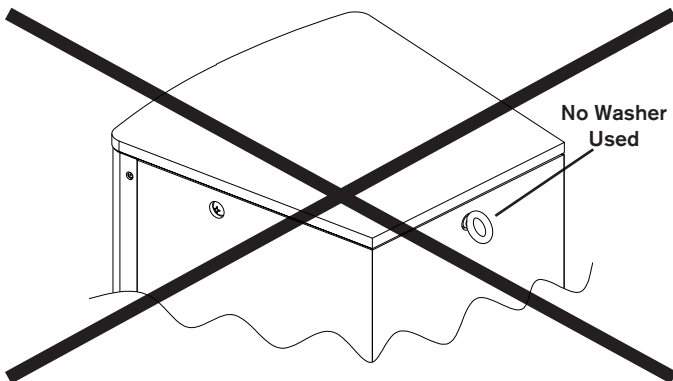
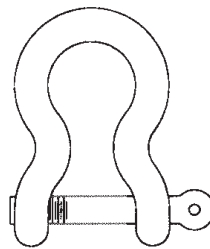


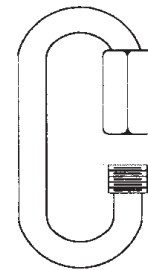
Figure 5b: Eyebolt shown without Washer (INCORRECT)



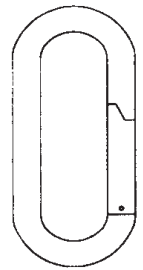
**WARNING:** Suspending any object is potentially dangerous and should only be attempted by individuals who have a thorough knowledge of the techniques and regulations of suspending objects overhead. Electro-Voice® strongly recommends that loudspeakers be suspended taking into account all current national, federal, state and local regulations. It is the responsibility of the installer to ensure that all loudspeakers are safely installed in accordance with all such regulations. When loudspeakers are suspended, Electro-Voice® strongly recommends that the system be inspected at least once a year. If any sign of weakness or damage is detected, remedial action should be taken immediately. Any hardware used to suspend a loudspeaker that is not associated with Electro-Voice® is the responsibility of others.



Anchor Shackle



Threaded Chain Connector



Carabiner-Type Snap Hook

Figure 6: Examples of Useful Suspension Hardware

# Electro-Voice®

12000 Portland Avenue South, Burnsville, MN 55337  
Phone: 952/884-4051, Fax: 952/884-0043

www.electrovoice.com

© Bosch Communications Systems 08/2008  
Part Number LIT000262 Rev A

U.S.A. and Canada only. For customer orders, contact Customer Service at:  
800/392-3497 Fax: 800/955-6831

Europe, Africa, and Middle East only. For customer orders, contact Customer Service at:  
+ 49 9421-706 0 Fax: + 49 9421-706 265

Other International locations. For customer orders, Contact Customer Service at:  
+ 1 952 884-4051 Fax: + 1 952 887-9212

For warranty repair or service information, contact the Service Repair department at:  
800/685-2606

For technical assistance, contact Technical Support at: 866/78AUDIO

Specifications subject to change without notice.